

1

2

3

4

5

6

7

8

REVISIONS				
ZONE	REV.	DESCRIPTION	DATE	APPROVED
	A	DRAWING ISSUED	7/06/2018	Kimman Wong

A

A

B

B

C

C

D

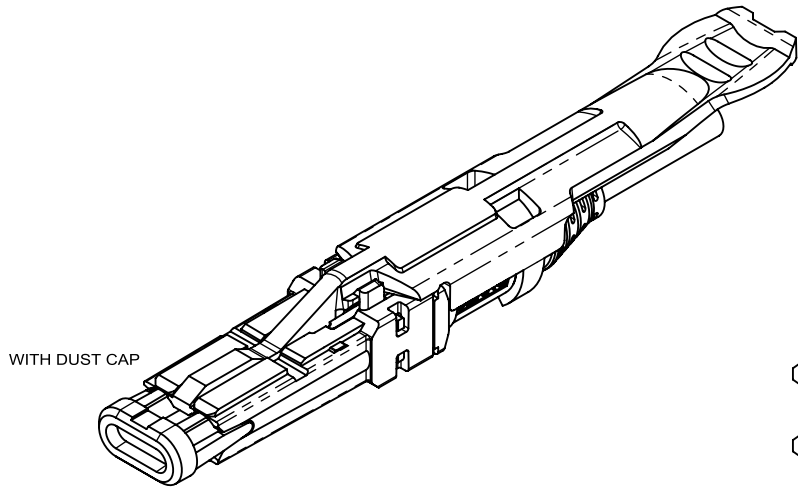
D

E

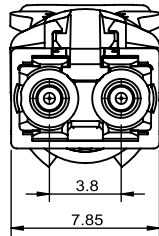
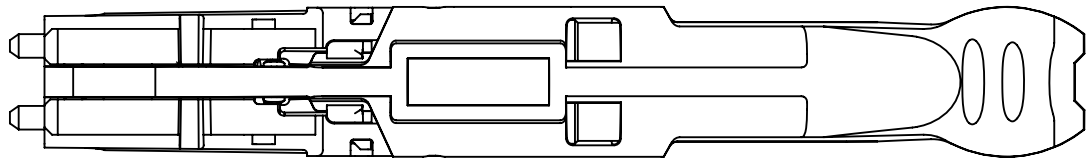
E

F

F

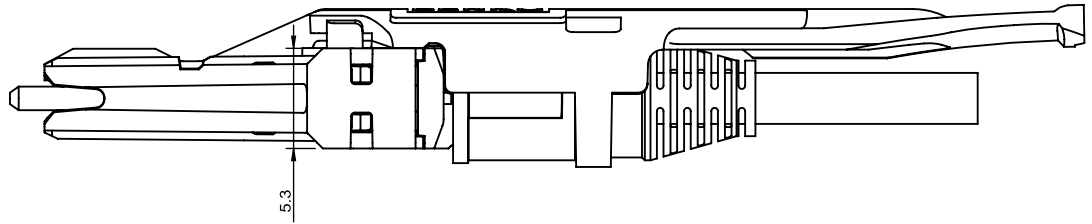


WITH DUST CAP



3.8

7.85



5.3

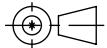
Category

UNLESS OTHERWISE SPECIFIED:
DEBURRS ALL SHARP EDGES.
DIMENSIONS ARE AFTER FINISH.

All Dimensions are in mm

TOLERANCES:

- X, =±
- .X =±
- .XX =±
- .XXX =±
- ∠ =±



Drawn By: ENG. DEPT.

Checked By: Kimman Wong

Material: SEE ABOVE BOM

Scale: Free

Part Number: 601-XXX-X2X

Description: CS CONNECTOR KIT FOR 2mm CABLE (FINAL DESIGN)

DWG# C-ENH18-357

Rev. A

Sheet 1

1

2

3

4

5

6

7

8